

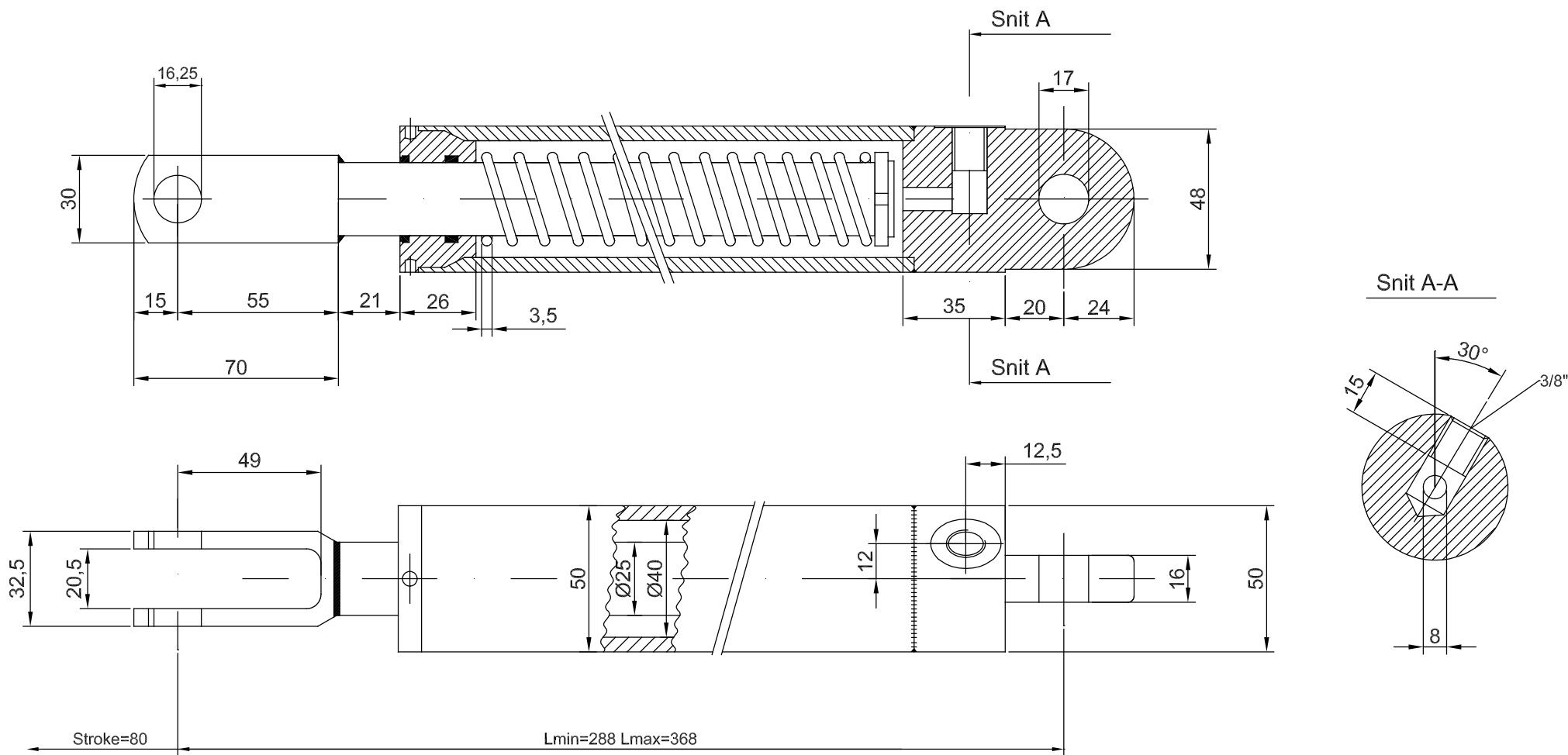
Rev.No.

Note:

Rev. Date

Signature

Checked



Application	Drawing ADC	Approved FN	Drawing no. 2320	Date 150999	Scale 1:2
<b>Dani-tech</b> Denmark. ☎+45-76342300 ☎+45-76342301 Sweden. ☎+46-46233060 ☎+46-46233069 Nederland. ☎+31-715417704 ☎+31-715419106			Description Bremse cylinder		Sheet 1/1
			Item no.	ART1578	